

ATARI

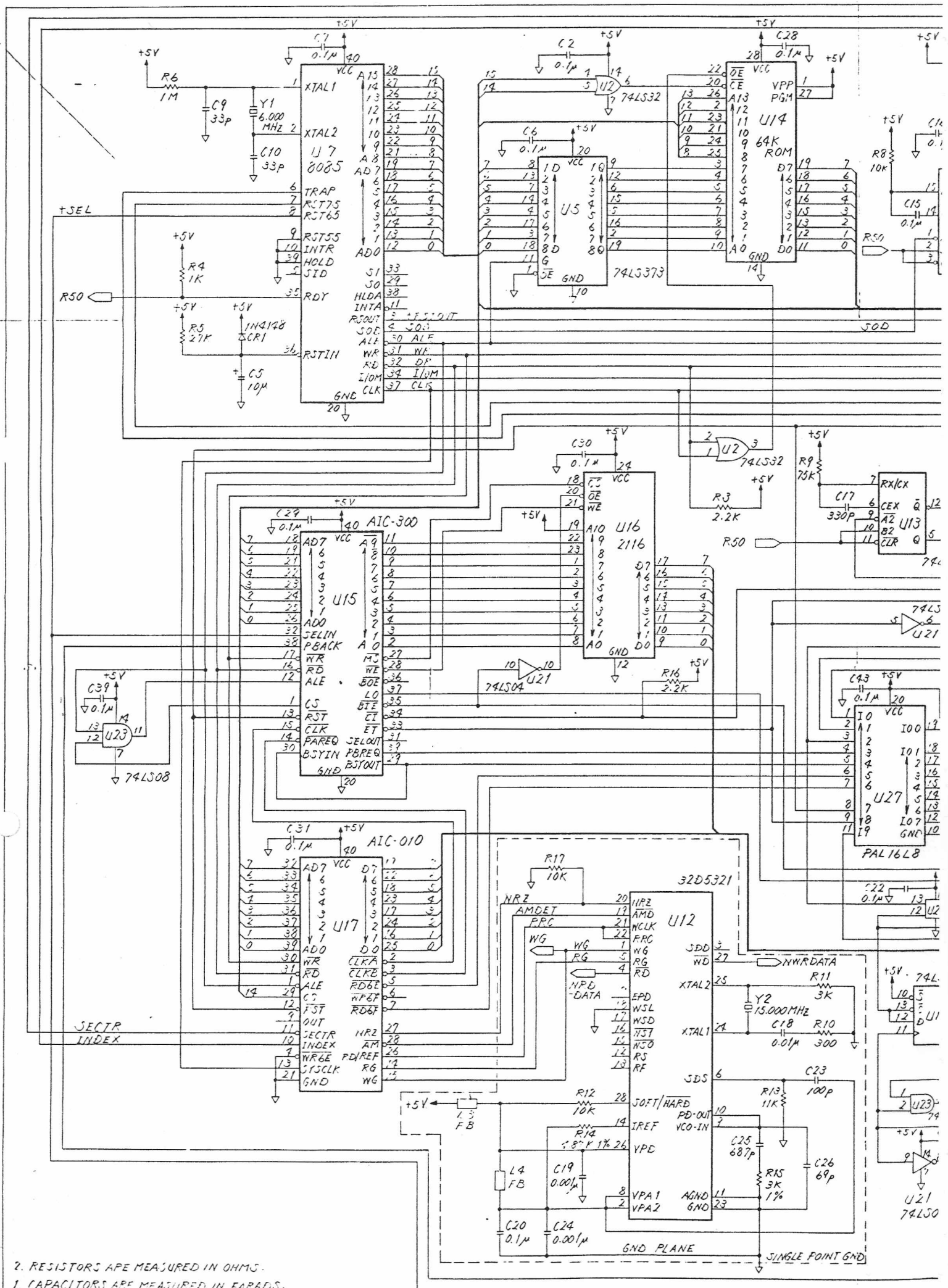
MEGAFILE 30
MEGAFILE 60

SERVICE MANUAL

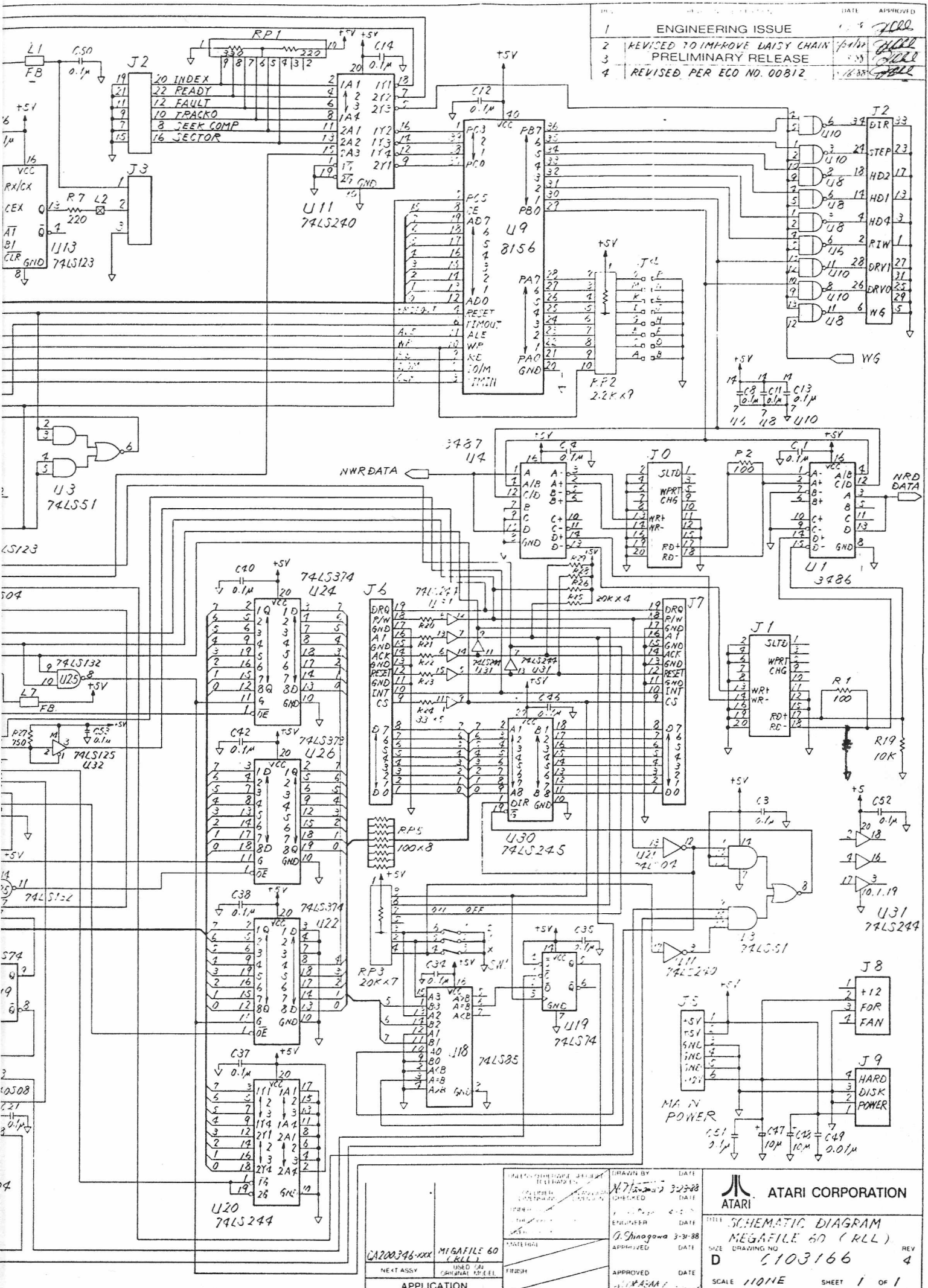
Schaltungsdienst Lange

Circuit-Diagram-Service in Germany

D-1000 Berlin 47



2. RESISTORS ARE MEASURED IN OHMS.
 1. CAPACITORS ARE MEASURED IN FARADS.
 NOTES—UNLESS OTHERWISE SPECIFIED.



NO.	DESCRIPTION	DATE	APPROVED
1	ENGINEERING ISSUE	1/1/88	JCRB
2	REVISED TO IMPROVE DAISY CHAIN	1/1/88	JCRB
3	PRELIMINARY RELEASE	1/1/88	JCRB
4	REVISED PER ECO NO. 00812	1/1/88	JCRB

DRAWN BY: <i>[Signature]</i> DATE: 3-25-88 CHECKED: DATE: ENGINEER: DATE: APPROVED: DATE: MATERIALS: NEXT ASSY: USED OR ORIGINAL MODEL: APPLICATION:		ATARI CORPORATION ATARI SCHEMATIC DIAGRAM MEGAFILE 60 (RLL) DRAWING NO. C103166 REV 4 SCALE 1:1 SHEET 1 OF 1	
---	--	--	--

APPENDIX C MEGAFILE SPECIFICATIONS

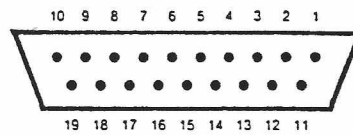
Because Atari MEGAFILE hard disk drives may use parts from different manufacturers, individual drive specifications may vary. The list below is a summary of the standard MEGAFILE specifications.

	MEGAFILE 30	MEGAFILE 60
Formatted Storage Capacity	32,747,520 bytes	64,616,448 bytes
Disk Platters	2	3
Surfaces	4	6
Recording Heads	4	6
Cylinders	615	809
Number of Tracks	2460	4854
Track Density tracks per inch	588	753
Data Format	RLL	RLL
Data Transfer Speed megabits per second	7.5	7.5
Rotational Speed	3600 rpm \pm 1.0%	3600 rpm \pm 0.5%
Latency Time	8.33 ms	8.33 ms
Seek Time (average)	65 ms	61 ms
Power Supply	120V, 60 Hz (USA) 240V, 50 Hz (UK)	
Power Consumption	14.8 Watts	18.1 Watts

Ambient Temperature	
Operating or Idle	50 to 122° F (10 to 50° C)
Storage	-40 to 135° F (-40 to 57° C)
Relative Humidity (operating, idle, or storage)	8 to 80% noncondensing
Altitude (from sea level)	
Operating	-200 to 10,000 ft. (-63 to 3,143 m)
Nonoperating	40,000 ft (12,572 m) maximum
Start Time	22 seconds (typically) from power up to ready
Stop Time	20 seconds from power down
Shock	
Nonoperating	40 g
Operating	4 g
Dimensions	
Height	2.75 in. (7 cm,
Width	13.4 in. (34 cm)
Depth	13.4 in. (34 cm)
Weight	9.4 lb. (4.27 kg)

Connector Pinouts

1 - Data 0	13 - Ground
2 - Data 1	14 - Acknowledge
3 - Data 2	15 - Ground
4 - Data 3	16 - A1
5 - Data 4	17 - Ground
6 - Data 5	18 - Read/Write
7 - Data 6	19 - Data Request
8 - Data 7	
9 - Chip Select	
10 - Interrupt Request	
11 - Ground	
12 - Reset	



ST412 INTERFACE DRIVES USING RUN LENGTH LIMITED (2,7) ENCODING AT 7.5 MEGABITS/SEC.

Product Information	ST138R	ST157R	ST238R	ST251R	ST277R	ST4144R
Formatted Capacity (Megabytes):	32	49	31	43	65	122
Read/Write Heads:	4	6	4	4	6	9
Data Cylinders:	615	615	615	820	820	1,024
Step Pulse Range (μ sec.):	3-200	3-200	5-200	3-200	3-200	3-70
Access Time (msec.):	28	28	65	40	40	28
Write Precompensation (cyl.):	N/A	N/A	N/A	N/A	N/A	N/A
Reduced Write Current (cyl.):	N/A	N/A	N/A	N/A	N/A	N/A
Power (Watts):	10	10	14.8	11	11	25.5

SCSI INTERFACE DRIVES

Product Information	ST138N	ST157N	ST225N	ST251N	ST277N
Formatted Capacity (Megabytes):	32	48	21	43	64
Sectors per Drive:	63,139	95,015	41,720	84,254	126,790
Access Time (msec.):	28	28	65	40	40
Power (Watts with termination):	12	12	16.8	13	13

Segate ST 238 R in der Megafile 30